

General Purpose Transistors

NPN Silicon

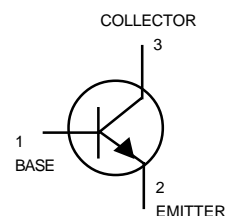
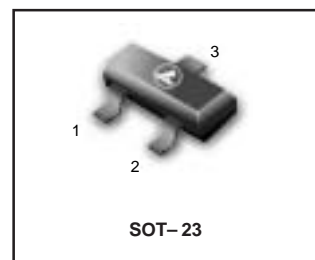
FEATURE

- Complementary to L9015.
- Pb-Free package is available.

DEVICE MARKING AND ORDERING INFORMATION

Device	Marking	Shipping
L9014QLT1	14Q	3000/Tape&Reel
L9014QLT1G (Pb-Free)	14Q	3000/Tape&Reel
L9014RLT11	14R	3000/Tape&Reel
L9014RLT1G (Pb-Free)	14R	3000/Tape&Reel
L9014SLT1	14S	3000/Tape&Reel
L9014SLT1G (Pb-Free)	14S	3000/Tape&Reel
L9014TLT11	14T	3000/Tape&Reel
L9014TLT1G (Pb-Free)	14T	3000/Tape&Reel

L9014*LT1



MAXIMUM RATINGS

Rating	Symbol	Value	Unit
Collector-Emitter Voltage	V_{CEO}	45	V
Collector-Base Voltage	V_{CBO}	50	V
Emitter-Base Voltage	V_{EBO}	5	V
Collector current-continuoun	I_C	100	mA

THERMAL CHARATEERISTICS

Characteristic	Symbol	Max	Unit
Total Device Dissipation FR-5 Board, (1) $T_A=25^{\circ}\text{C}$	P_D	225	mW
Derate above 25°C		1.8	$\text{mW}/^{\circ}\text{C}$
Thermal Resistance, Junction to Ambient	$R_{\theta JA}$	556	$^{\circ}\text{C}/\text{W}$
Total Device Dissipation Alumina Substrate, (2) $T_A=25^{\circ}\text{C}$	P_D	300	mW
Derate above 25°C		2.4	$\text{mW}/^{\circ}\text{C}$
Thermal Resistance, Junction to Ambient	$R_{\theta JA}$	417	$^{\circ}\text{C}/\text{W}$
Junction and Storage Temperature	T_J, T_{stg}	-55 to +150	$^{\circ}\text{C}$

L9014*LT1

ELECTRICAL CHARACTERISTICS (TA=25°C unless otherwise noted)

OFF CHARACTERISTICS

Characteristic	Symbol	Min	Typ	Max	Unit
Collector-Emitter Breakdown Voltage ($I_C=1.0\text{mA}$)	$V(BR)_{CEO}$	45	-	-	V
Emitter-Base Breakdown Voltage ($I_E=100\ \mu\text{A}$)	$V(BR)_{EBO}$	5	-	-	V
Collector-Base Breakdown Voltage ($I_C=100\ \mu\text{A}$)	$V(BR)_{CBO}$	50	-	-	V
Collector Cutoff Current ($V_{CB}=40\text{V}$)	I_{CBO}	-	-	100	nA
Emitter Cutoff Current ($V_{EB}=3\text{V}$)	I_{EBO}	-	-	100	nA

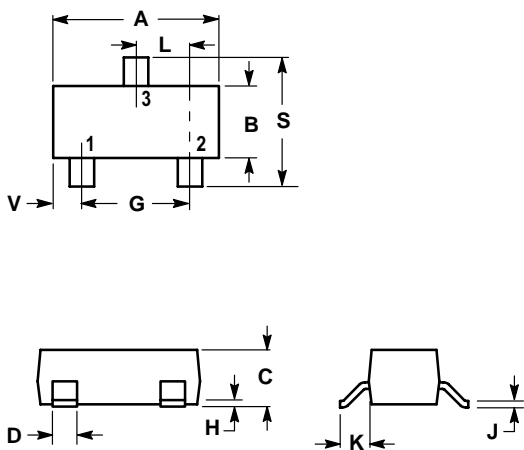
ON CHARACTERISTICS

DC Current Gain ($I_C=1\text{mA}$, $V_{CE}=5\text{V}$)	H_{FE}	150	-	1000	
Collector-Emitter Saturation Voltage ($I_C=100\text{mA}$, $I_B=5\text{mA}$)	V_{CE}	-	-	0.3	V

NOTE:	*	Q	R	S	T
	H_{FE}	150~300	200~400	300~600	400~1000

L9014*LT1

SOT-23



NOTES:

1. DIMENSIONING AND TOLERANCING PER ANSI Y14.5M, 1982.
2. CONTROLLING DIMENSION: INCH.

DIM	INCHES		MILLIMETERS	
	MIN	MAX	MIN	MAX
A	0.1102	0.1197	2.80	3.04
B	0.0472	0.0551	1.20	1.40
C	0.0350	0.0440	0.89	1.11
D	0.0150	0.0200	0.37	0.50
G	0.0701	0.0807	1.78	2.04
H	0.0005	0.0040	0.013	0.100
J	0.0034	0.0070	0.085	0.177
K	0.0140	0.0285	0.35	0.69
L	0.0350	0.0401	0.89	1.02
S	0.0830	0.1039	2.10	2.64
V	0.0177	0.0236	0.45	0.60

- PIN 1. BASE
 2. EMITTER
 3. COLLECTOR

