

S5PXX18L

北京迅为电子有限公司

Page List

- 001.TITLE
- 002.REVISION HISTORY
- 003.BLOCK DIAGRAM
- 004.POWER TREE
- 005.POWER_PMIC
- 006.SYSTEM_CONTROL
- 007.DDR_III
- 008.PERIPHERALS
- 009.VIP&DISPLAY
- 010.MCU_POWER
- 011.EMMC&NAND
- 012.EXP_IO

北京迅为电子有限公司 www.topeetboard.com		
Title TOPEET S5PXX18		
Size A	Document Number	Rev 0.11
Date: Tuesday, January 03, 2017	Sheet	1 of 12

Revision History

V1.2

2016.7.19

增加了R28

北京迅为电子有限公司 www.topeetboard.com

Title

REVISION HISTORY

Size

A

Document Number

Rev

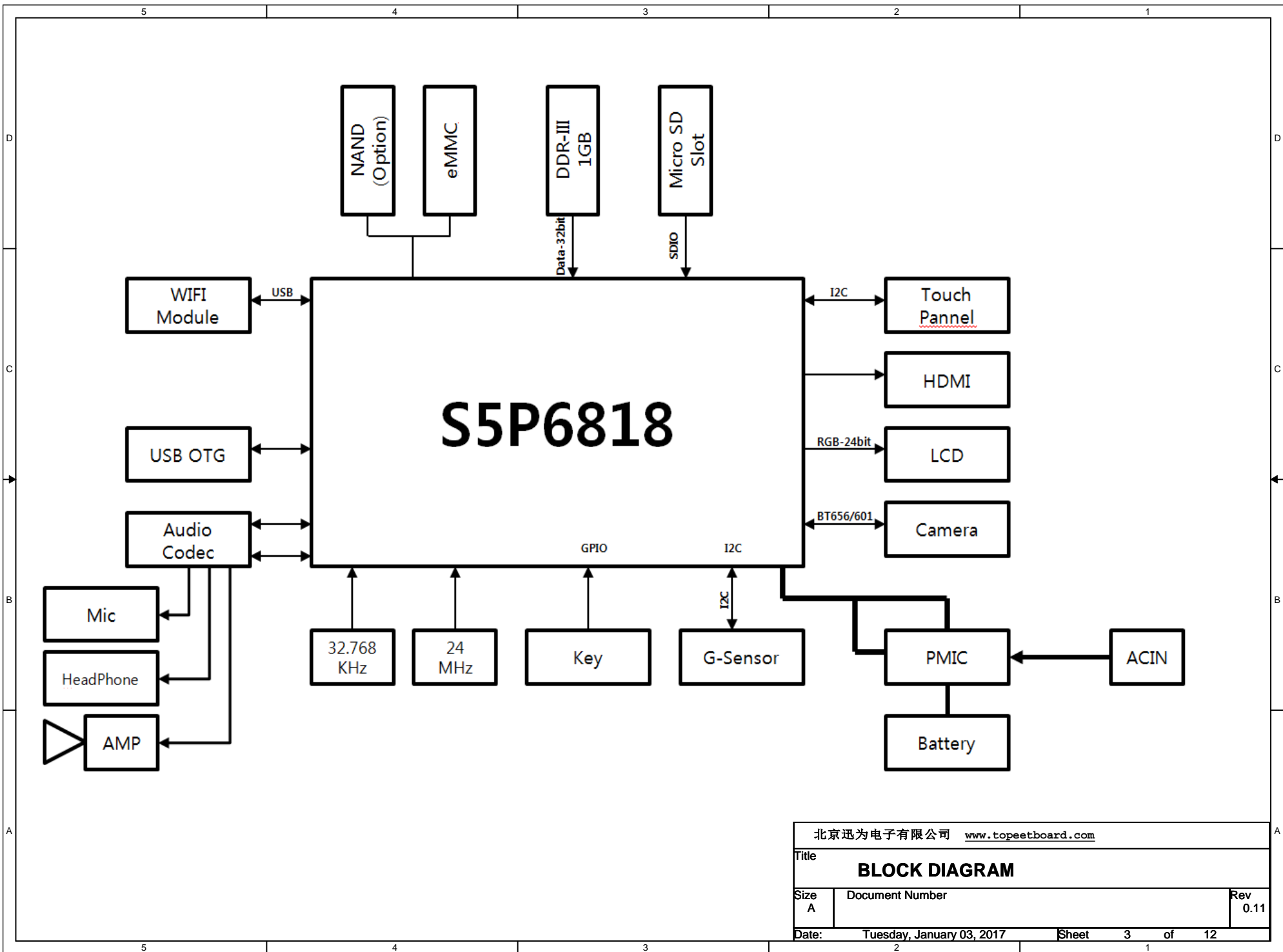
0.11

Date:

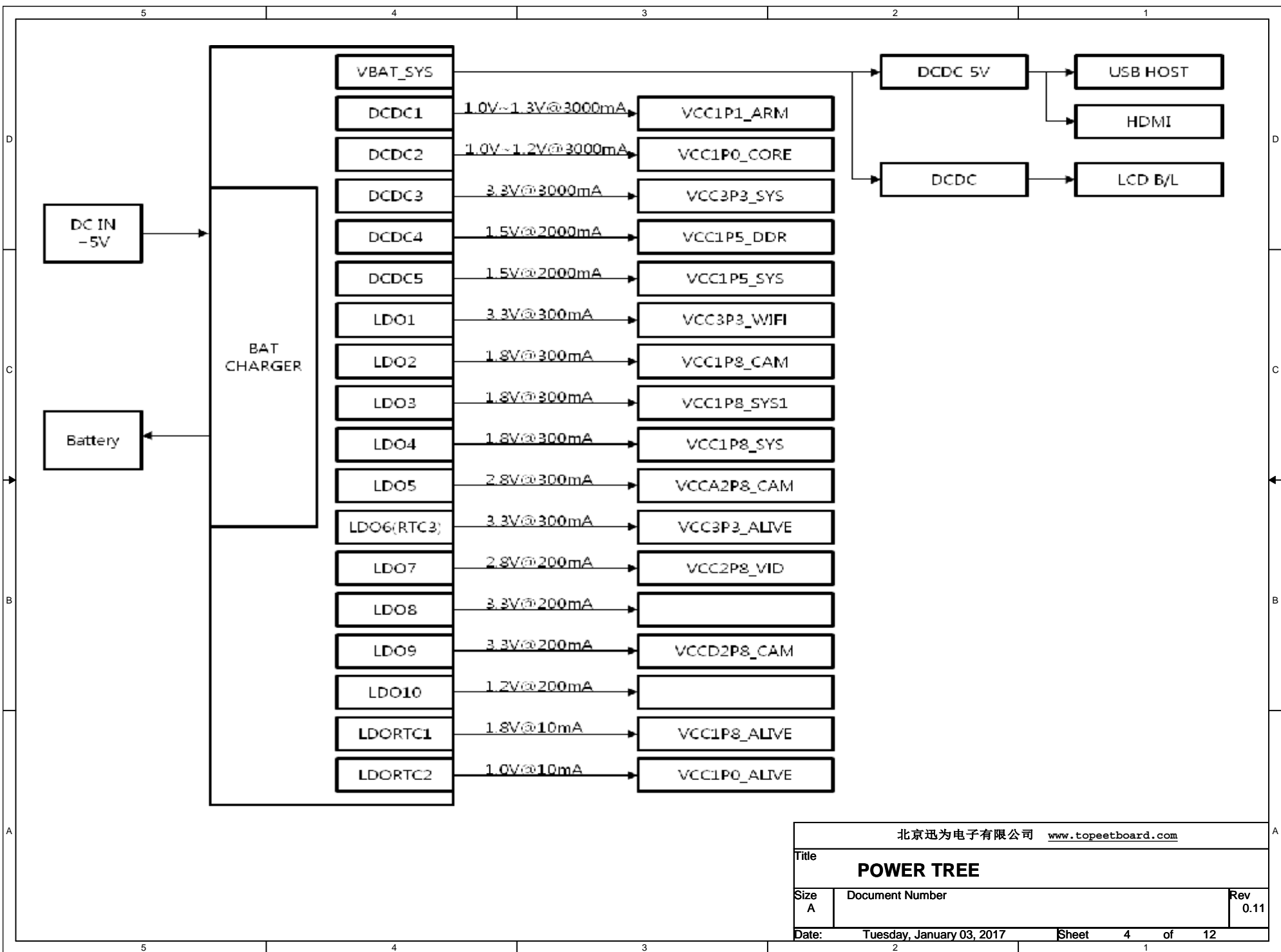
Tuesday, January 03, 2017

Sheet

2 of 10



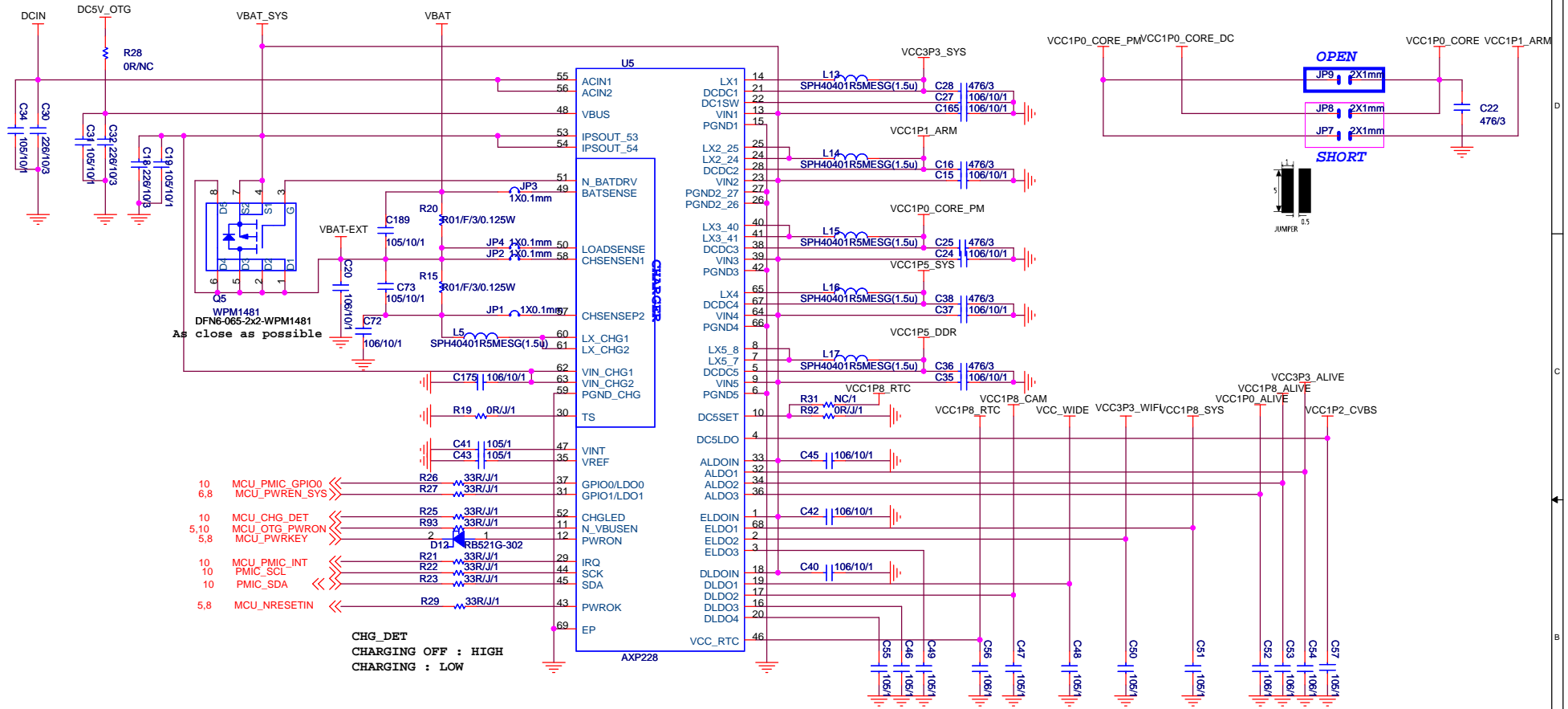
北京迅为电子有限公司 www.topeetboard.com		
Title BLOCK DIAGRAM		
Size A	Document Number	Rev 0.11
Date:	Tuesday, January 03, 2017	Sheet 3 of 12



北京迅为电子有限公司 www.topeetboard.com

Title		
POWER TREE		
Size	Document Number	Rev
A		0.11
Date:	Tuesday, January 03, 2017	Sheet 4 of 12
	2	1

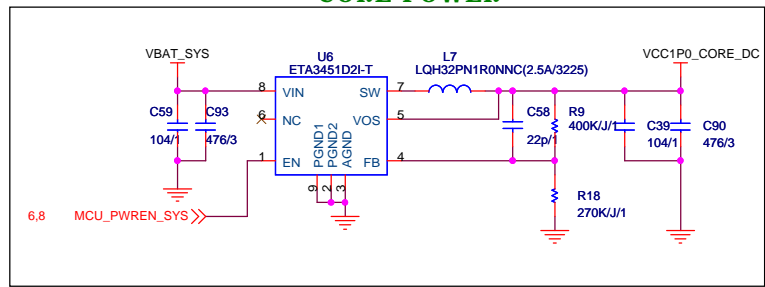
PMIC POWER



- 10 MCU_PMIC_GPIO0
- 6,8 MCU_PWREN_SYS
- 10 MCU_CHG_DET
- 5,10 MCU_OTG_PWRON
- 5,8 MCU_PWRKEY
- 10 MCU_PMIC_INT
- 10 PMIC_SCL
- 10 PMIC_SDA
- 5,8 MCU_NRESETIN

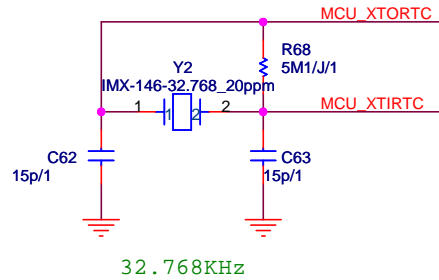
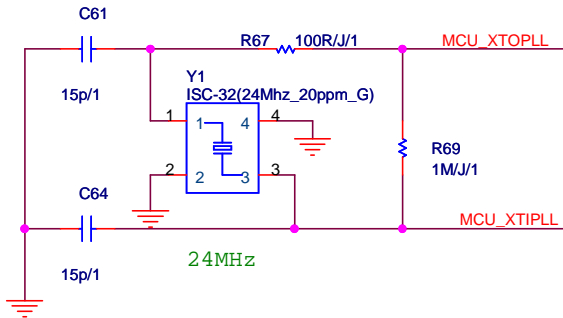
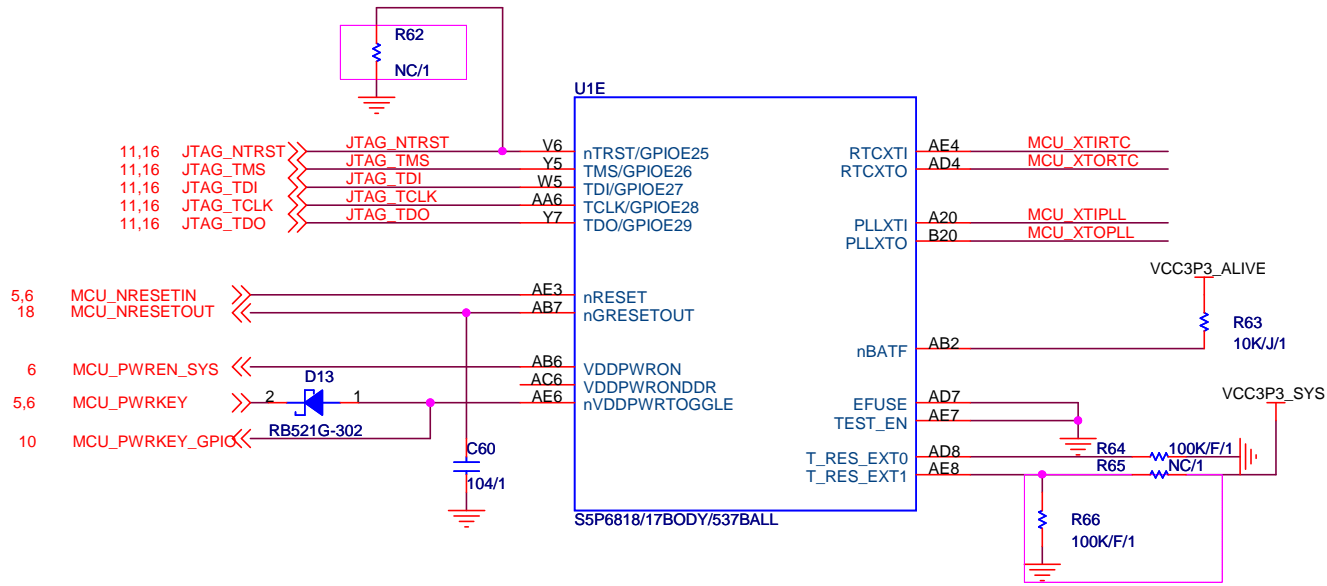
CHG_DET
 CHARGING OFF : HIGH
 CHARGING : LOW

CORE POWER



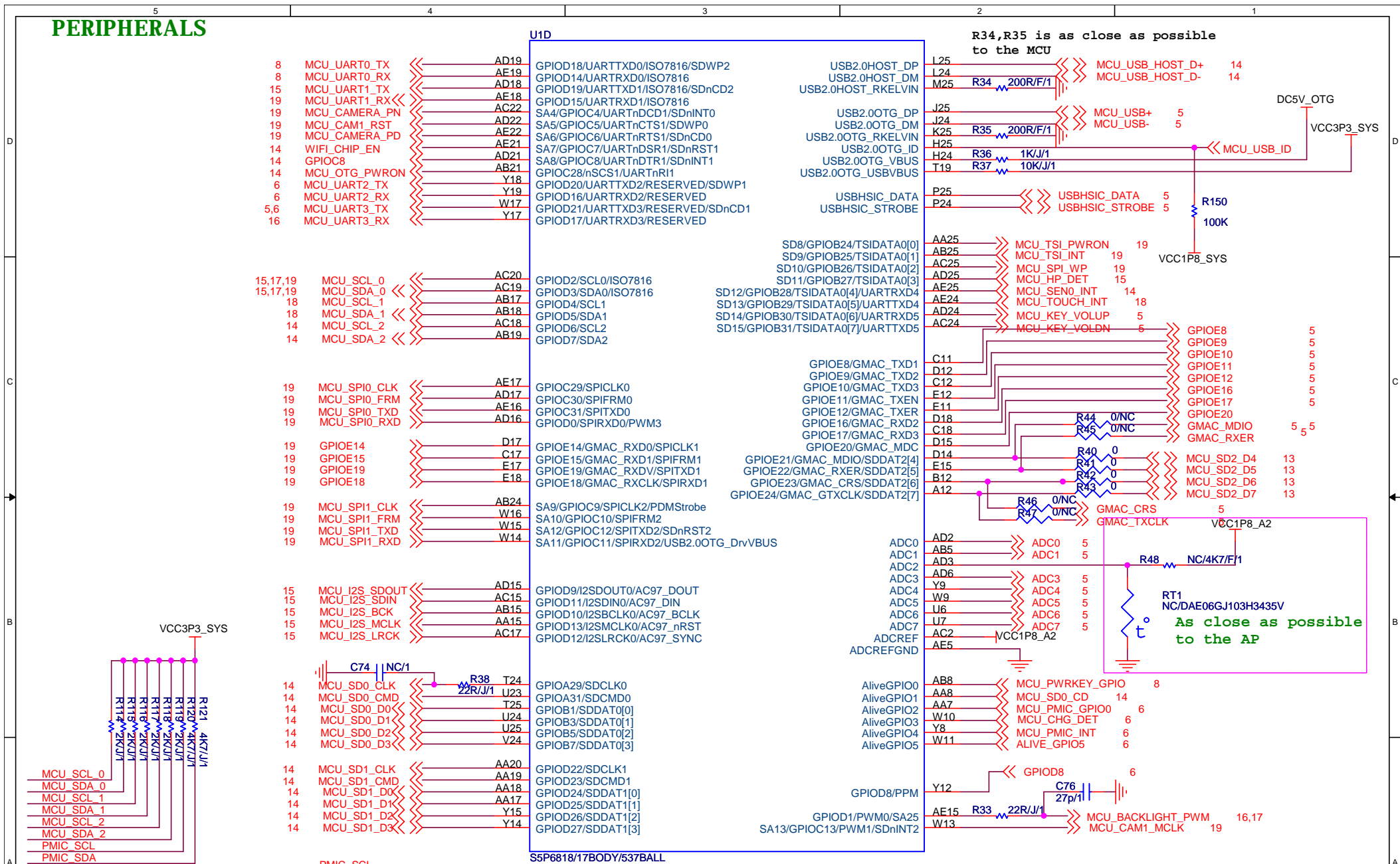
北京迅为电子有限公司 www.topeetboard.com		
Title POWER_PMIC		
Size B	Document Number	Rev 0.11
Date: Tuesday, January 03, 2017	Sheet 5	of 12

SYSTEM CONTROL



北京迅为电子有限公司 www.topeetboard.com		
Title SYSTEM_CONTROL		
Size A4	Document Number	Rev 0.11
Date: Tuesday, January 03, 2017	Sheet 6	of 12

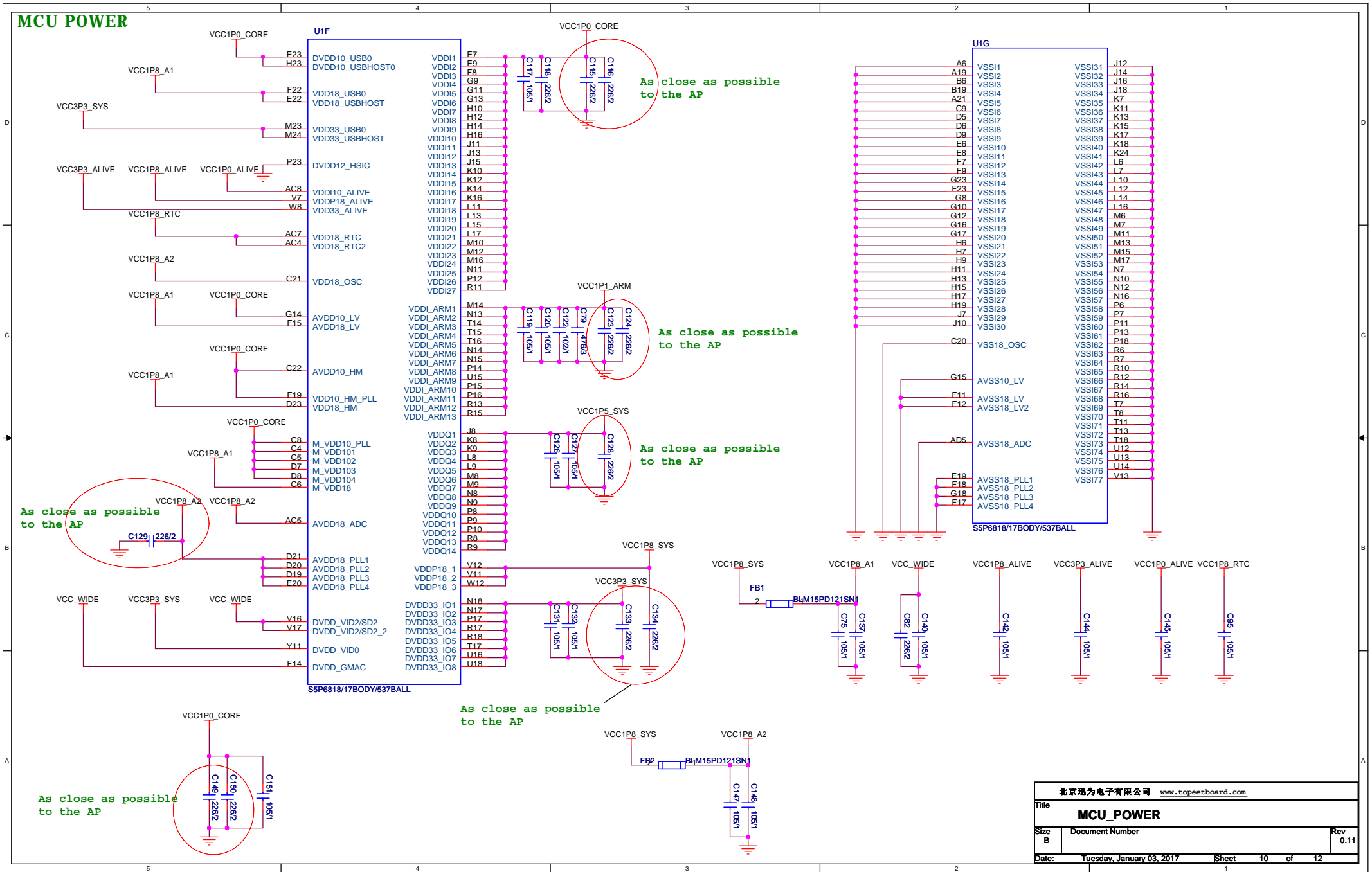
PERIPHERALS



I2C CH0 : Audio, HDMI, Camera, DTV
 I2C CH1 : Touch
 I2C CH2 : G-Sensor
 PMIC_I2C : PMIC

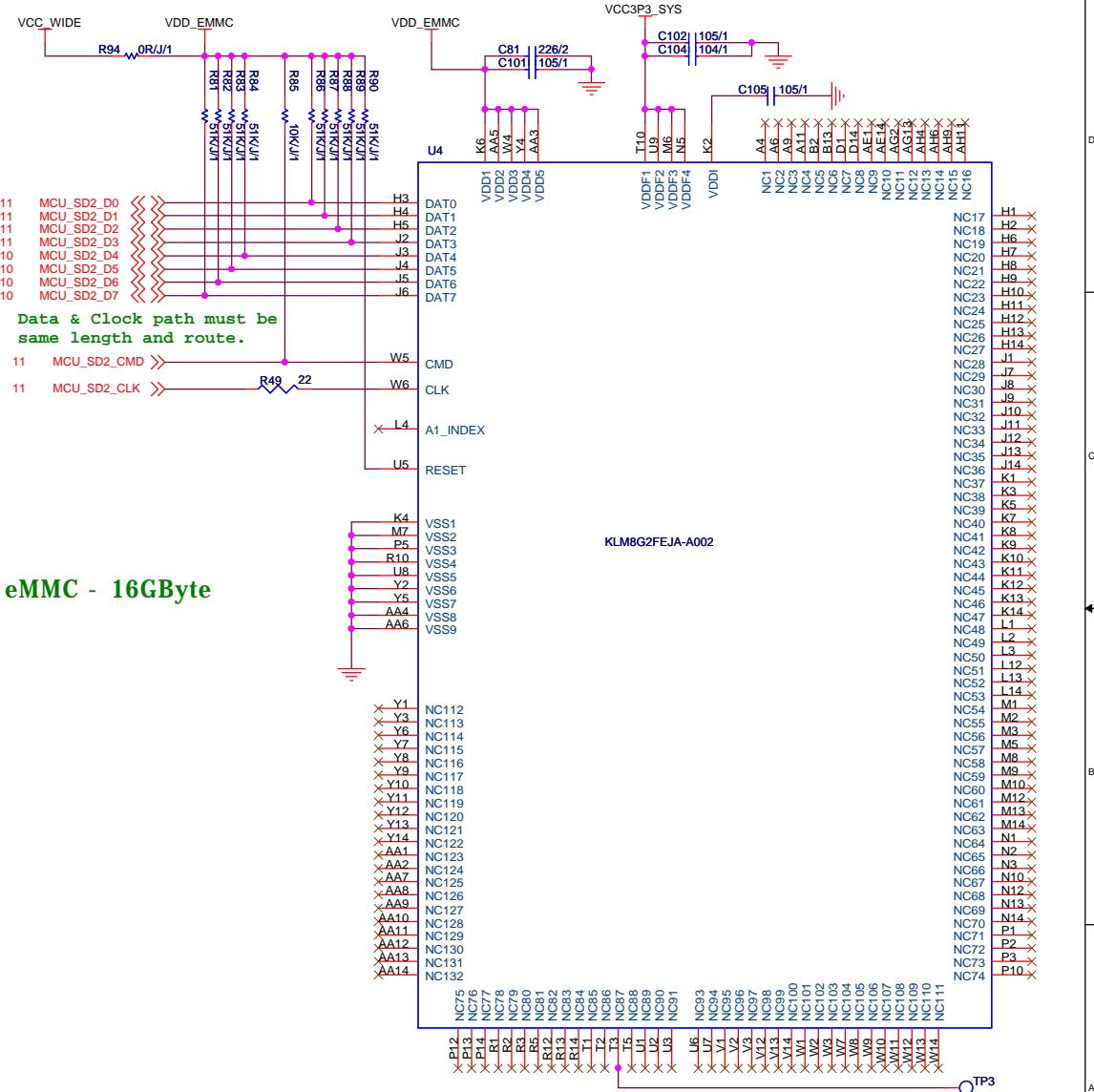
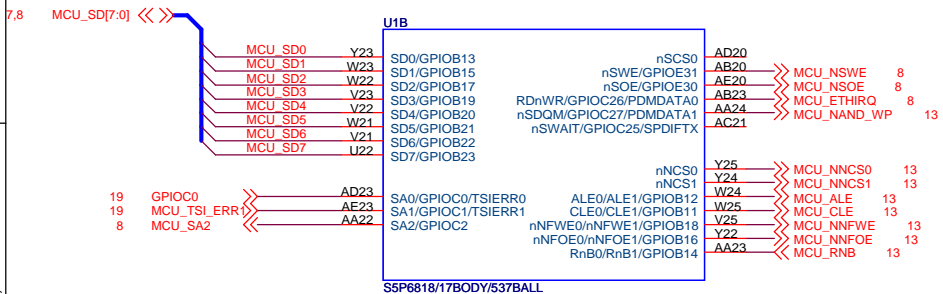
北京迅为电子有限公司 www.topeetboard.com		
Title PERIPHERALS		
Size A4	Document Number	Rev 0.11
Date: Tuesday, January 03, 2017	Sheet 8	of 12

MCU POWER



北京迅为电子有限公司 www.topeetboard.com		
Title MCU_POWER		
Size B	Document Number	Rev 0.11
Date: Tuesday, January 03, 2017	Sheet 10	of 12

NAND & eMMC



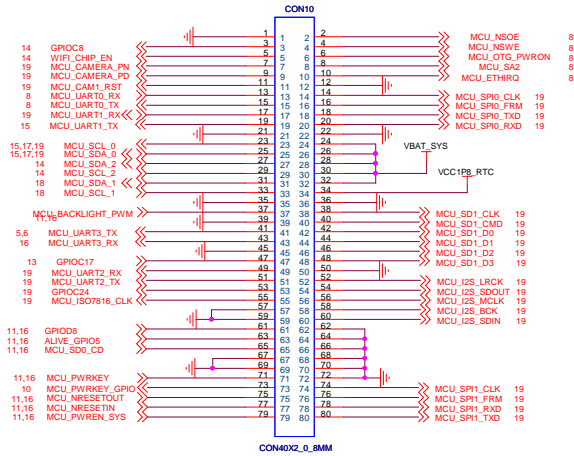
Data & Clock path must be same length and route.

eMMC - 16GByte

北京迅为电子有限公司 www.topeetboard.com		
Title: EMMC&NAND		
Size B	Document Number	Rev 0.11
Date:	Tuesday, January 03, 2017	Sheet 11 of 12

板对板连接器定义

Left

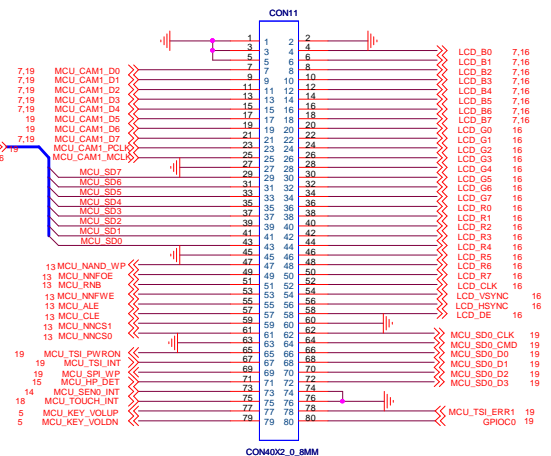


CON10

CON40X2_0_8MM

19

Down

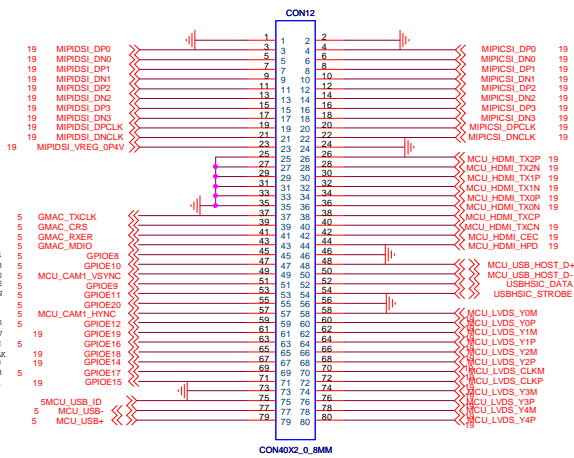


CON11

CON40X2_0_8MM

NAND - 4GByte

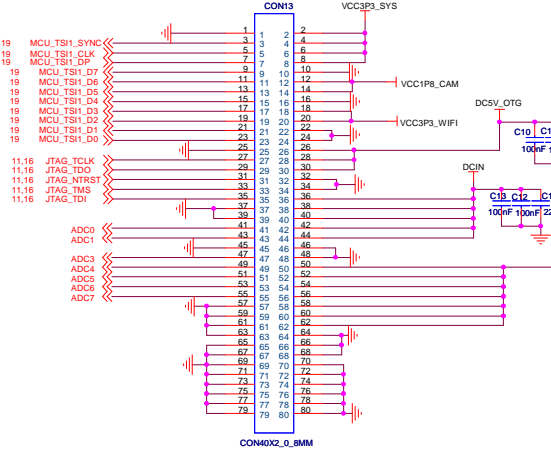
Right



CON12

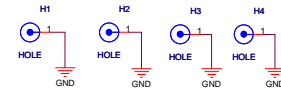
CON40X2_0_8MM

Up



CON13

CON40X2_0_8MM



北京瑞为电子有限公司 www.topastboard.com		
Title BOARD CONNECTOR		
Size C	Document Number	Rev 0.11
Date: Tuesday, January 03, 2017	Sheet 12	of 12